



Congratulations on the purchase of your new poly lumber side table. These easy step-by-step instructions can be used for assembly.

## Important

---

Please Read All Instructions Carefully Before Assembling This Product

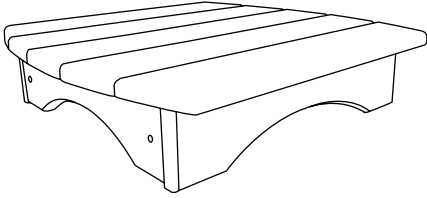
- Inspect all parts to make sure that nothing is broken or missing. If something is broken or missing, please contact our service department at [support@epiphanywow.com](mailto:support@epiphanywow.com).
  - The side table must be completely assembled before attempting to use it. Failure to do so could result in damage to the table or the user.
  - Use proper safety gear and follow appropriate safety precautions when assembling this product.
  - **Important - Do not overtighten the screws.**
  - Only hand tools should be used for assembly. Do not use power tools.
  - ECCB Outdoor (the manufacturer) and My Backyard Decor will not be liable for any injury or damage resulting from improper assembly and/or use of this product.
  - Failure to follow all instructions will result in the product warranty being voided.
-

# Parts

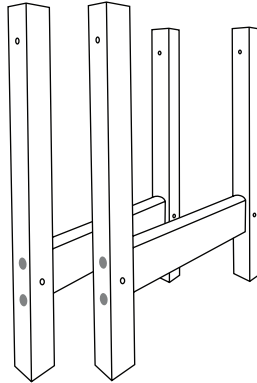
---

Make sure you have received everything. If anything is missing or damaged, please contact our service department at [support@epiphanywow.com](mailto:support@epiphanywow.com).

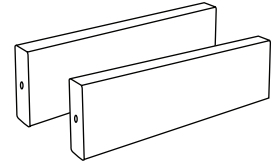
(A) Top - 1 piece



(B) Legs - 2 pieces



(C) Middle Brace - 2 pieces



# Hardware - Shown at Actual Size

---

(D) Bolts - 4 pieces



(F) Washers - 4 pieces



(E) Lag Screws - 4 pieces



(G) Nuts - 4 pieces

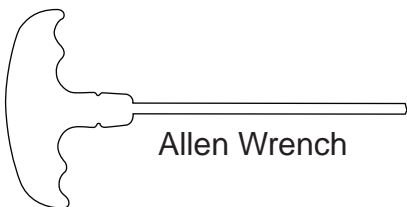


**Important:** When attaching the nuts, ALWAYS start with the metal part screwing onto the bolt/screw. Starting with the plastic part will not work and may cause the table not to be properly assembled. See illustration below.



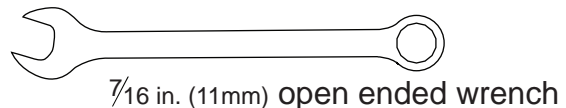
# Tools - Provided

---



# Tools - Not Included

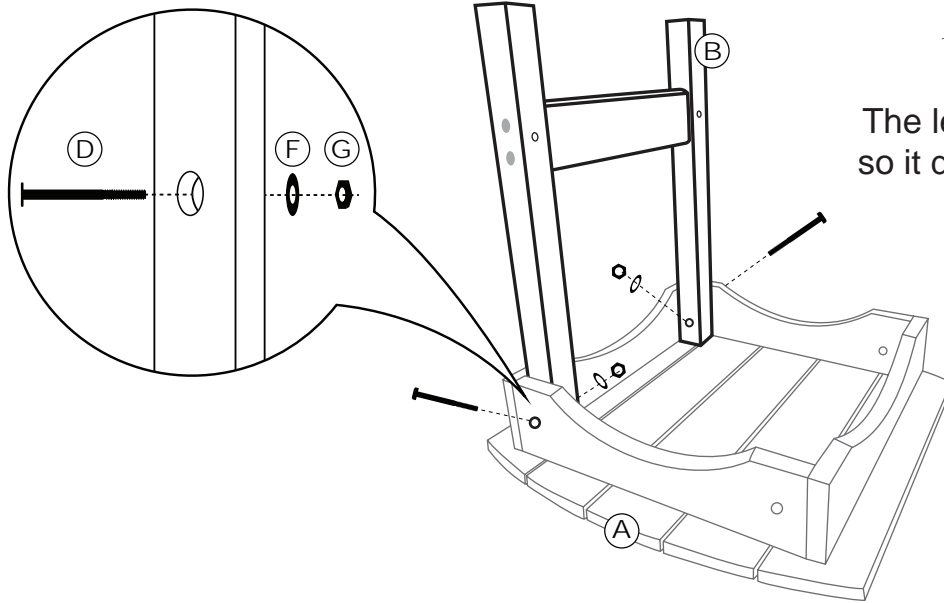
---



# Let's Get Started!

## Step 1 - Attach the Leg

- Flip over the top (A) so the bottom is facing up
- Line up the leg (B) with the pre-drilled holes of the top (A)
- Insert the bolt (D) and tighten on the inside of the leg with a washer (F) and nut (G) using your open ended wrench

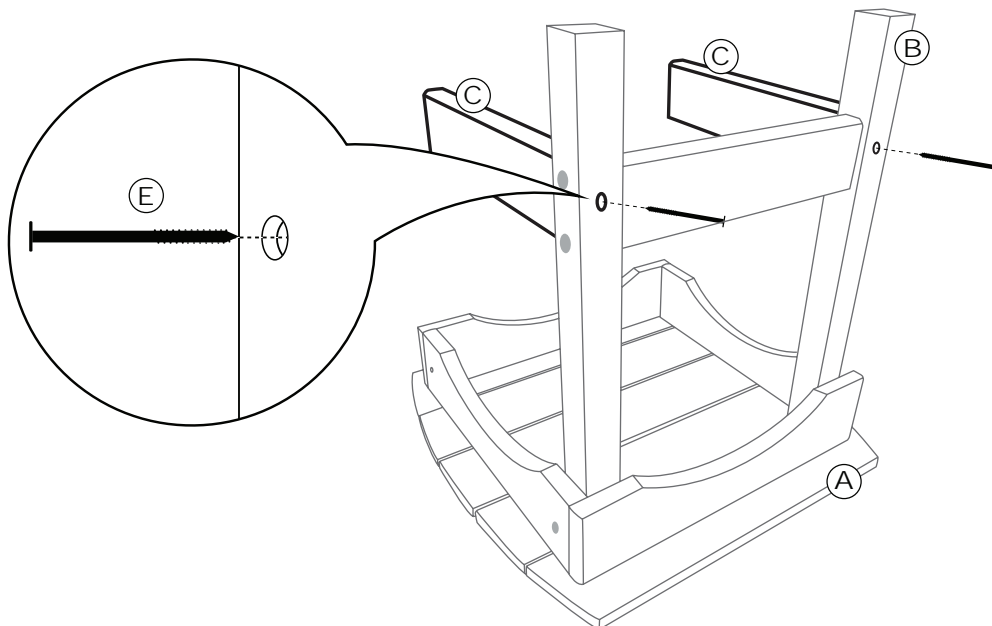


### Tip

The legs are interchangeable so it doesn't matter which one you start with.

## Step 2 - Attach the Middle Braces

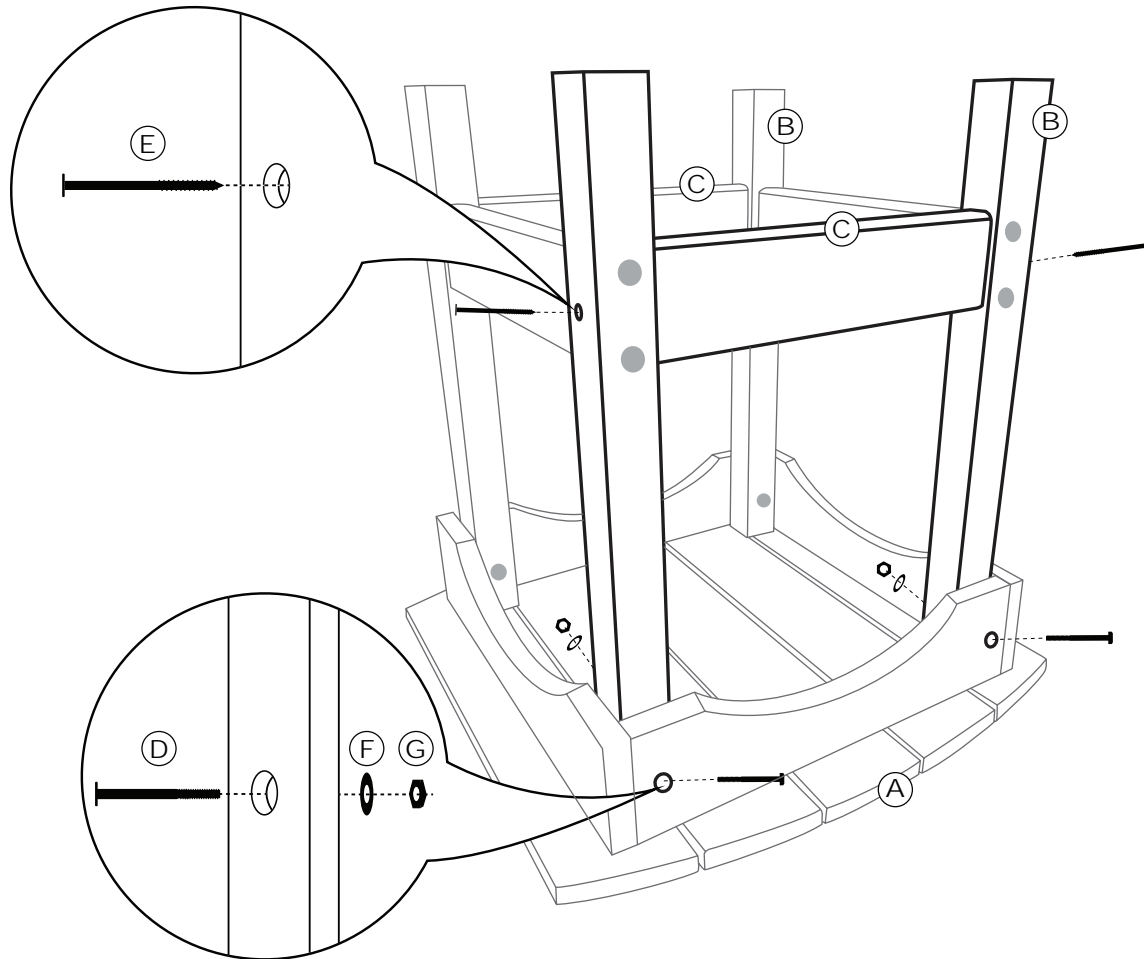
- Align the middle brace's (C) pre-drilled holes with the leg's (B) pre-drilled holes
- Attach the middle brace (C) to the leg (B) using only the lag screws (E) and Allen wrench provided
- Repeat this step with the other middle brace (C)



## Step 3 - Attach the Other Leg

---

- Line up the other leg (B) with the pre-drilled holes of the top (A)
- Insert the bolt (D) and tighten on the inside of the leg with a washer (F) and nut (G) using your open ended wrench
- Attach the middle brace (C) to the leg with the remaining lag screws (E) and Allen wrench



## Care

---

Poly lumber is easy to clean and maintain. Dust with a soft cloth or soft bristle brush, and tend to spills and stains with a mild soap and water. No waterproofing, no staining, and no painting is ever required! **IMPORTANT!** Periodically check to make sure that all screws are properly tightened.

That's all there is to it and now you have a great side table that we hope you will enjoy. Thank you for your business!

---